
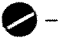


NOTE: ALL RESISTORS ARE SPECIFIED IN OHMS 1/4WATT, 5% UNLESS OTHERWISE INDICATED.  
 ALL CAPACITORS ARE SPECIFIED IN MICROFARADS UNLESS OTHERWISE INDICATED.

 - INDICATES PANEL NOMENCLATURE  
 - INDICATES SCREWDRIVER ADJUSTMENT  
 R207A-K ARE PART OF RESISTOR NETWORK R207.  
 ALL DIODES ARE IN4148 UNLESS OTHERWISE INDICATED.

SCHMATIC WIRING DIAGRAM  
 MOD. 241 ARCADE ANALYZER

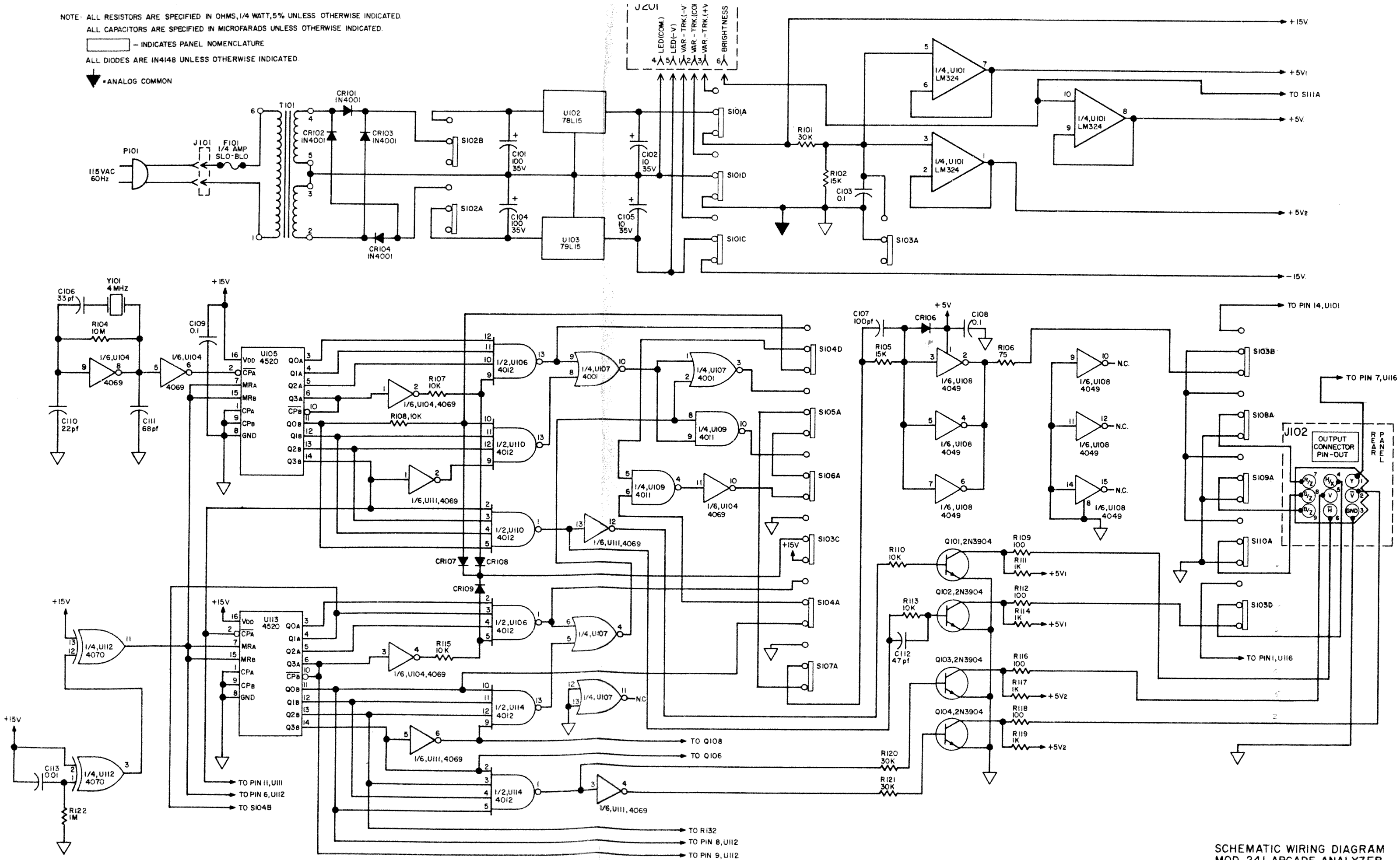
NOTE: ALL RESISTORS ARE SPECIFIED IN OHMS, 1/4 WATT, 5% UNLESS OTHERWISE INDICATED.

ALL CAPACITORS ARE SPECIFIED IN MICROFARADS UNLESS OTHERWISE INDICATED.

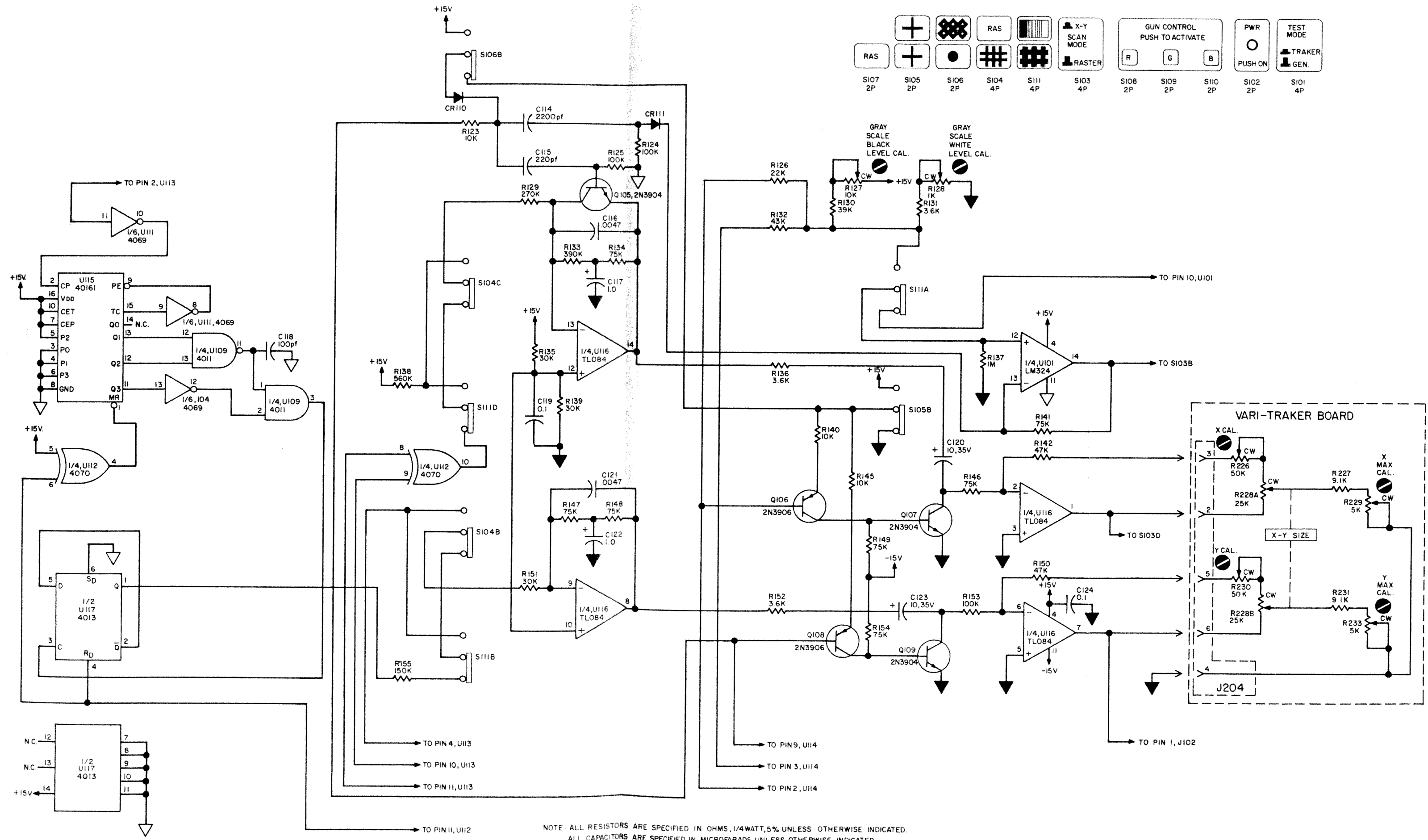
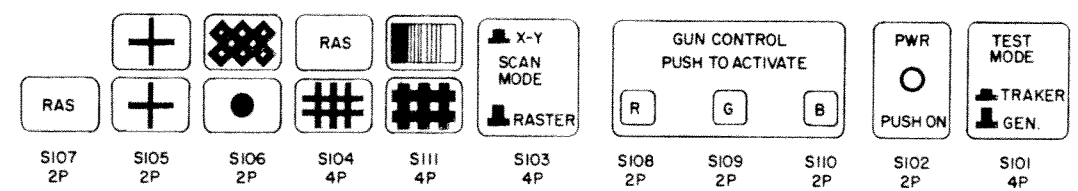
□ - INDICATES PANEL NOMENCLATURE

ALL DIODES ARE IN4148 UNLESS OTHERWISE INDICATED.

▼ \*ANALOG COMMON



SCHEMATIC WIRING DIAGRAM  
MOD. 241 ARCADE ANALYZER



NOTE: ALL RESISTORS ARE SPECIFIED IN OHMS, 1/4WATT, 5% UNLESS OTHERWISE INDICATED.  
 ALL CAPACITORS ARE SPECIFIED IN MICROFARADS UNLESS OTHERWISE INDICATED.  
 [Symbol] - INDICATES PANEL NOMENCLATURE  
 [Symbol] - INDICATES SCREWDRIWER ADJUSTMENT  
 ALL DIODES ARE IN4148 UNLESS OTHERWISE INDICATED

SCHEMATIC WIRING DIAGRAM MOD. 241 ARCADE ANALYZER